



10 Osborne Street DAPTO, NSW

Investment Opportunity

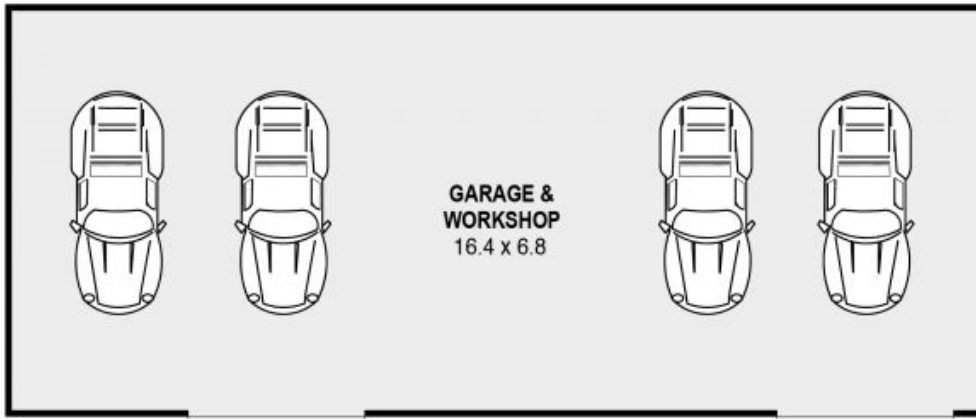
Zoned B6 Enterprise Corridor with prominent street position, this property presents the savvy investor a wonderful work/home life balance or excellent investment opportunity with development potential (STCA).

With a three bedroom home which can be converted into office space, and large warehouse on a level 892sqm of land, the possibilities are endless.

- Zoning suitable for commercial use
- Close to main arterial roads and shopping precinct
- Generous three bedroom home
- Spacious living/dining
- Kitchen with meals/dining
- Laundry with second toilet
- Storage and utilities room

Danny Mojanovski Daniel Mojanovski

0424163173



DETACHED



PLANS SHOWN ONLY INDICATIVE OF LAYOUT. DIMENSIONS ARE APPROXIMATE.
Ref. No: 91841

INT : 165m²
EXT : 08m²
GARAGE : 37m²
DETACHED : 112m²

10 OSBORNE STREET
10 Osborne Street

DAPTO, NSW

